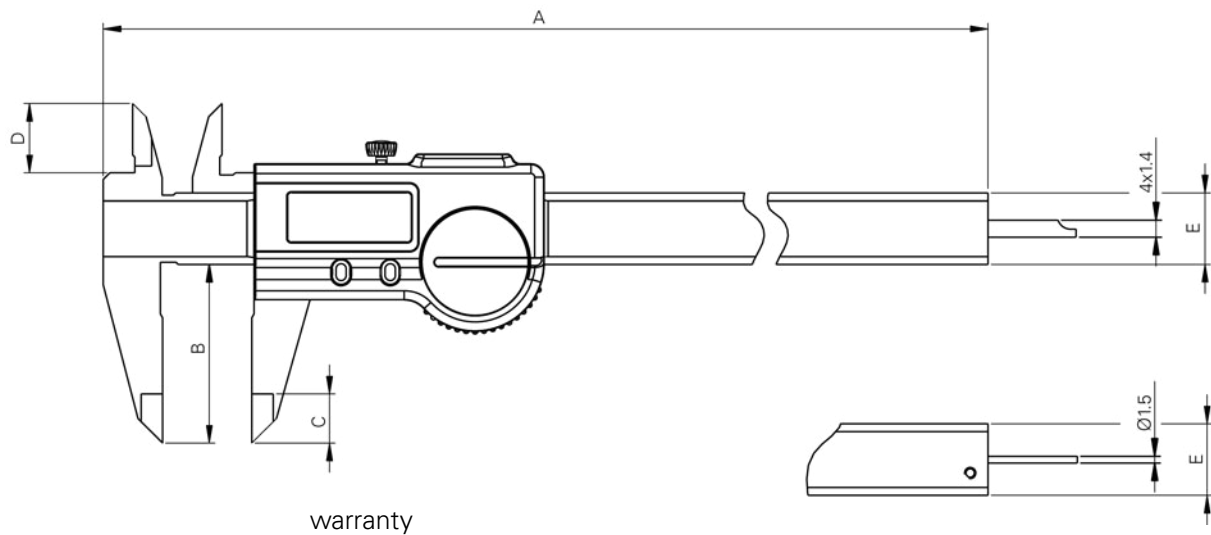


Professional Caliper

S_Cal PRO

DIMENSIONAL DRAWING



TECHNICAL SPECIFICATIONS

		910.1502	910.1507	910.1522	910.1532
Measuring range	mm	150	150	200	300
Max. Error G	µm	20 ¹⁾	20 ¹⁾	30	30
A	mm	234.5	234.5	290.5	388
B	mm	40	40	50	64
C	mm	11	11	14	14
D	mm	16	16	19	19
E	mm	16 x 3.5	16 x 3.5	16 x 3.5	16 x 4
Depth rod	mm	4 x 1.4	Ø 1.5	4 x 1.4	---
Protection rating according to IEC 60529	IP67 with or without connector				
S_Connect : Proximity	USB / RS232 / Digimatic ²⁾ / Wireless ²⁾				
Zero setting	●				
Smart Inductive Sensor	●				

¹⁾ > 100 mm : 30 µm / DIN 862

²⁾ see cables chapter